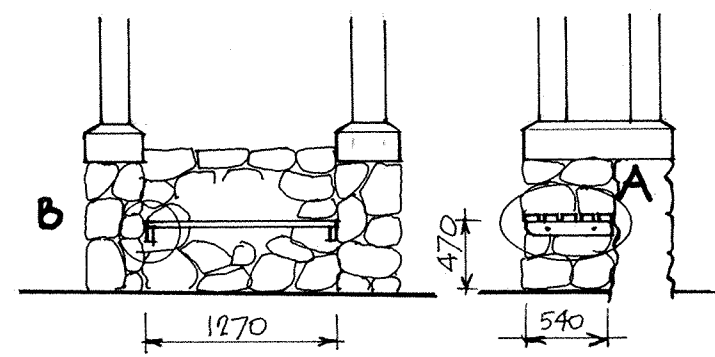
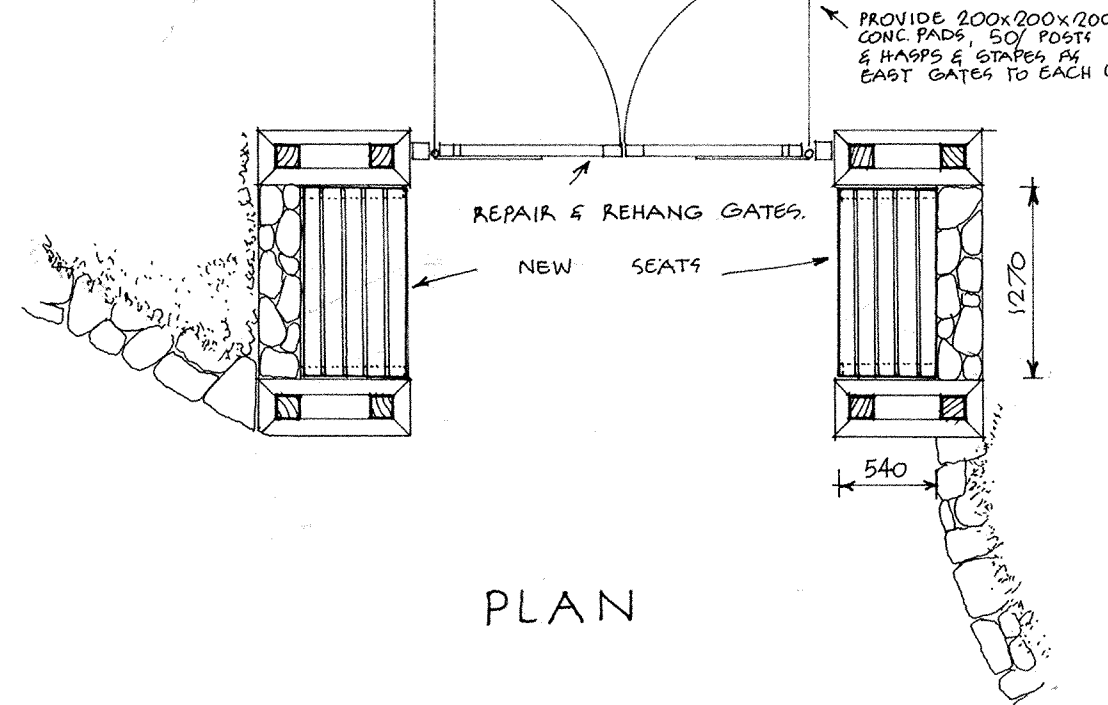


WEST ELEVATION.

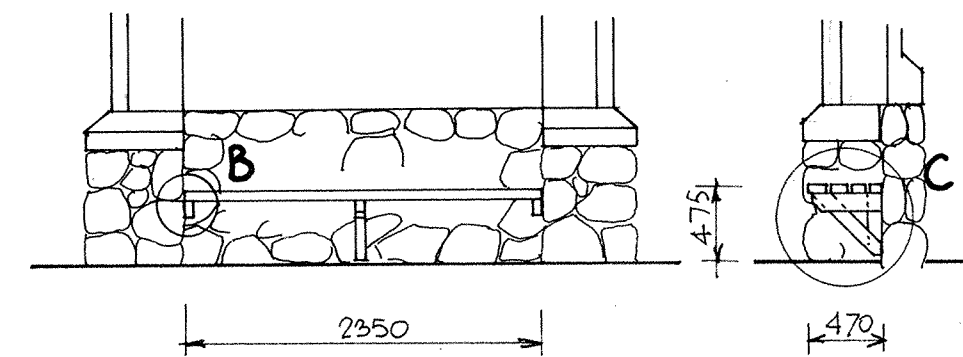
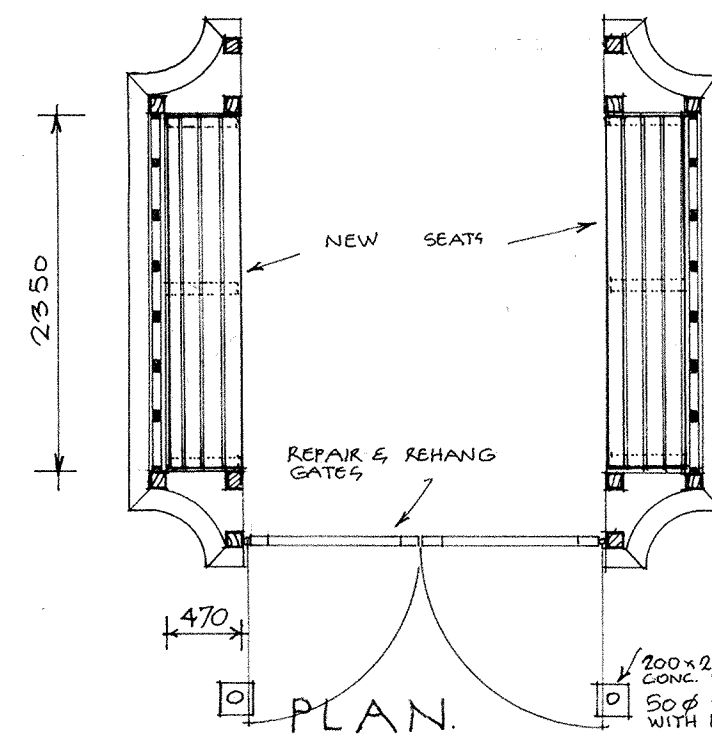
NORTH ELEVATION

WEST ELEVATION.

NORTH ELEVATION.



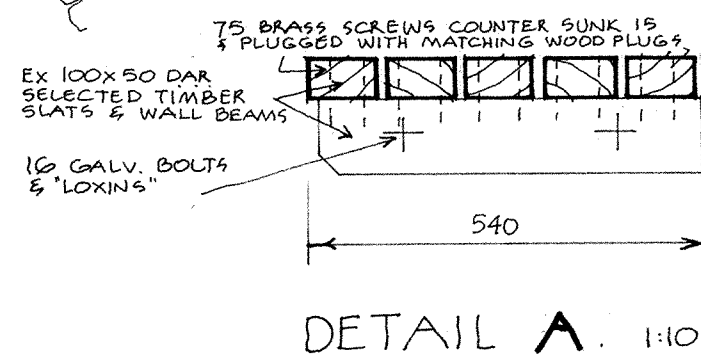
ELEVATION. SECTION.
DETAIL OF SEATS.
WEST LYCH GATE.



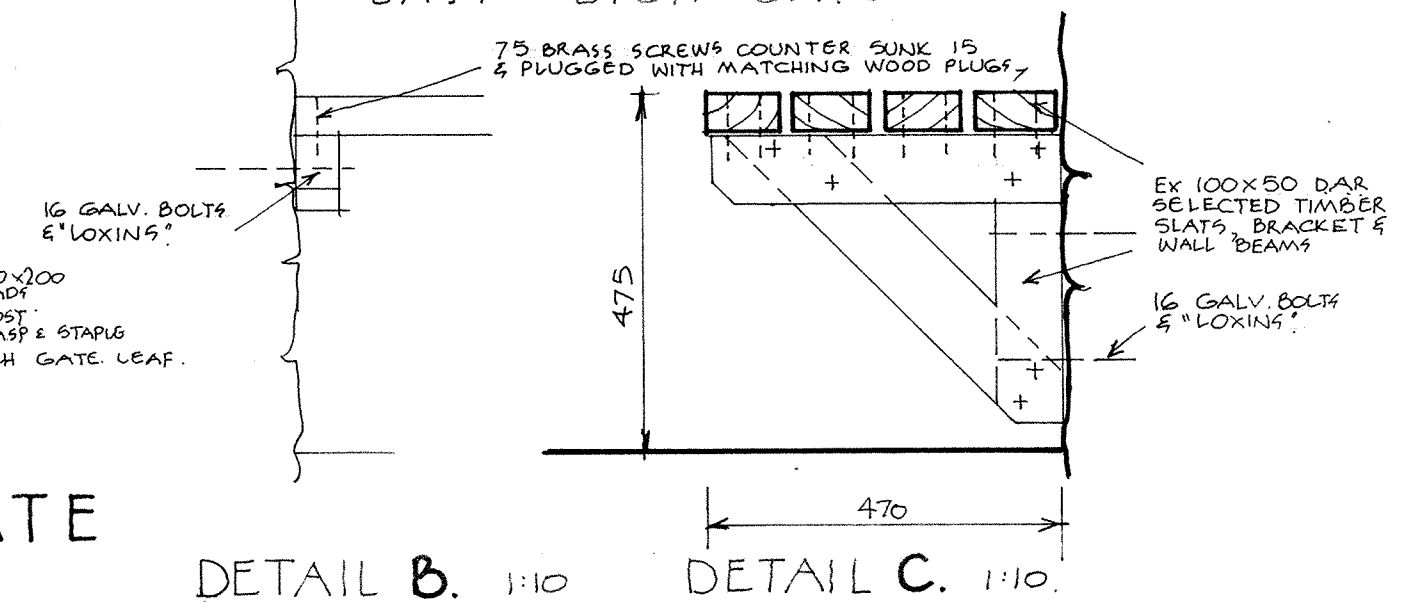
ELEVATION O SECTION
DETAIL OF SEATS
EAST LYCH GATE

WEST LYCH GATE

EAST LYCH GATE



DETAIL A. 1:10



DETAIL B. 1:10 DETAIL C. 1:10

ANGLICAN CHURCH OF ST. JOHN THE BAPTIST CANBERRA
MEASURED DRAWING

THE ARCHITECT FOR THE LYCH GATES WAS CANBERRA ARCHITECT KENNETH OLIPHANT.
• WEST LYCH GATE BUILT IN NOV. 1932 AS MEMORIAL TO EDWARD GRACE & HIS FAMILY OF GUNGAHLIN.
• EAST LYCH GATE BUILT IN 1936 AS A MEMORIAL TO MRS. FREDERICK CAMPBELL.



SCALE IN METRES.

JOHN GOLDSMITH F.R.A.I.A. ARCHITECT.

MAY 1984

NEW WORKS ADDED : 4.9.80

NEW SEATs TO BE CONSTRUCTED WITH EX. 100x50 D.A.R. SELECTED TIMBERS. EXISTING GATES TO HAVE DEFECTIVE TIMBERS REMOVED & REPLACED WITH NEW SHAPED SELECTED TIMBERS. REPAIR EXISTING HINGE PIVOTS SECURELY & REHANG GATES.
PROVIDE 50 Ø POSTS SET INTO 200x200x200 CONC. BASES & FIT WITH SELECTED HASPS & STAPLES & HOOKS TO HOLD GATES IN OPEN POSITIONS.

J.G.