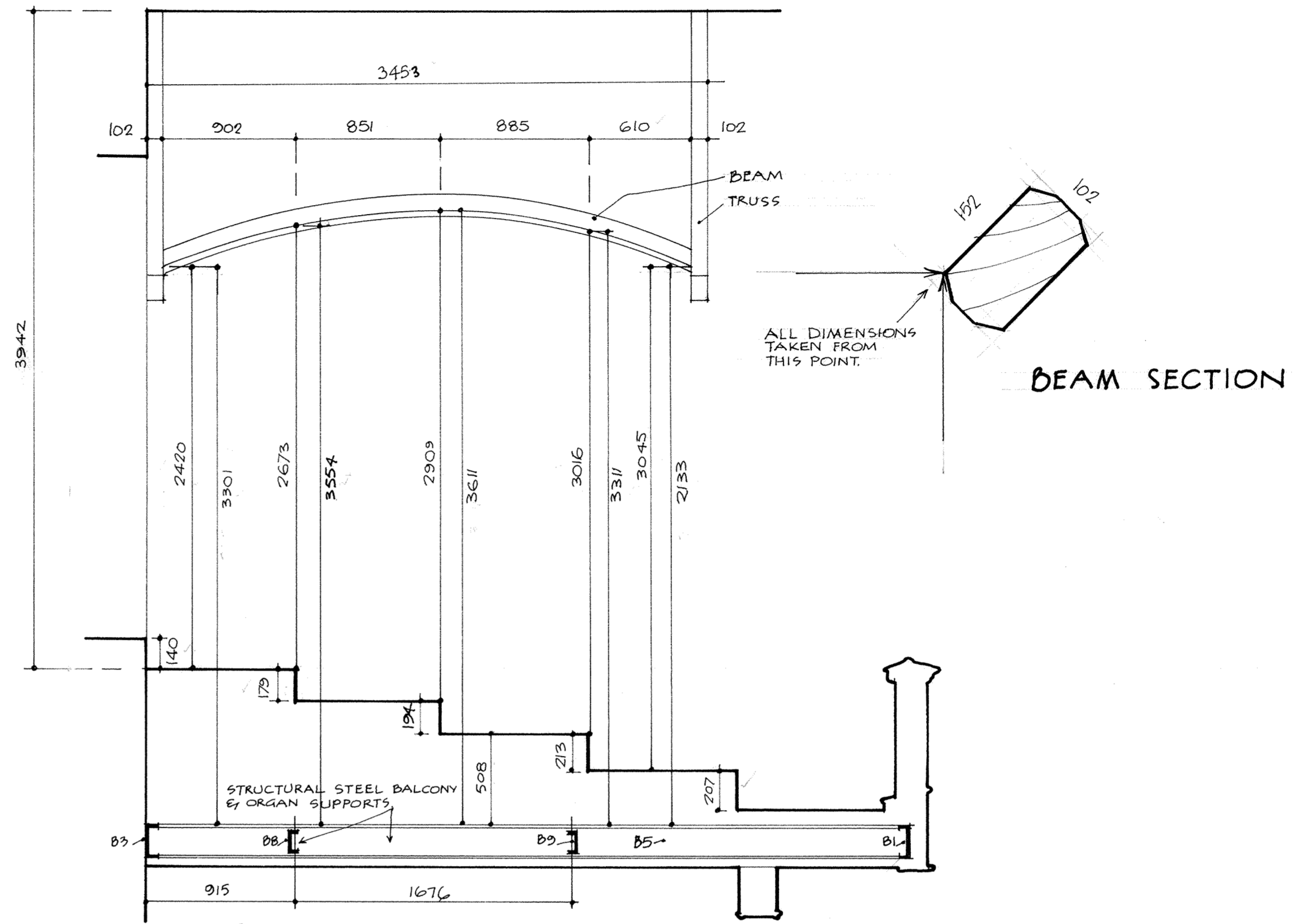
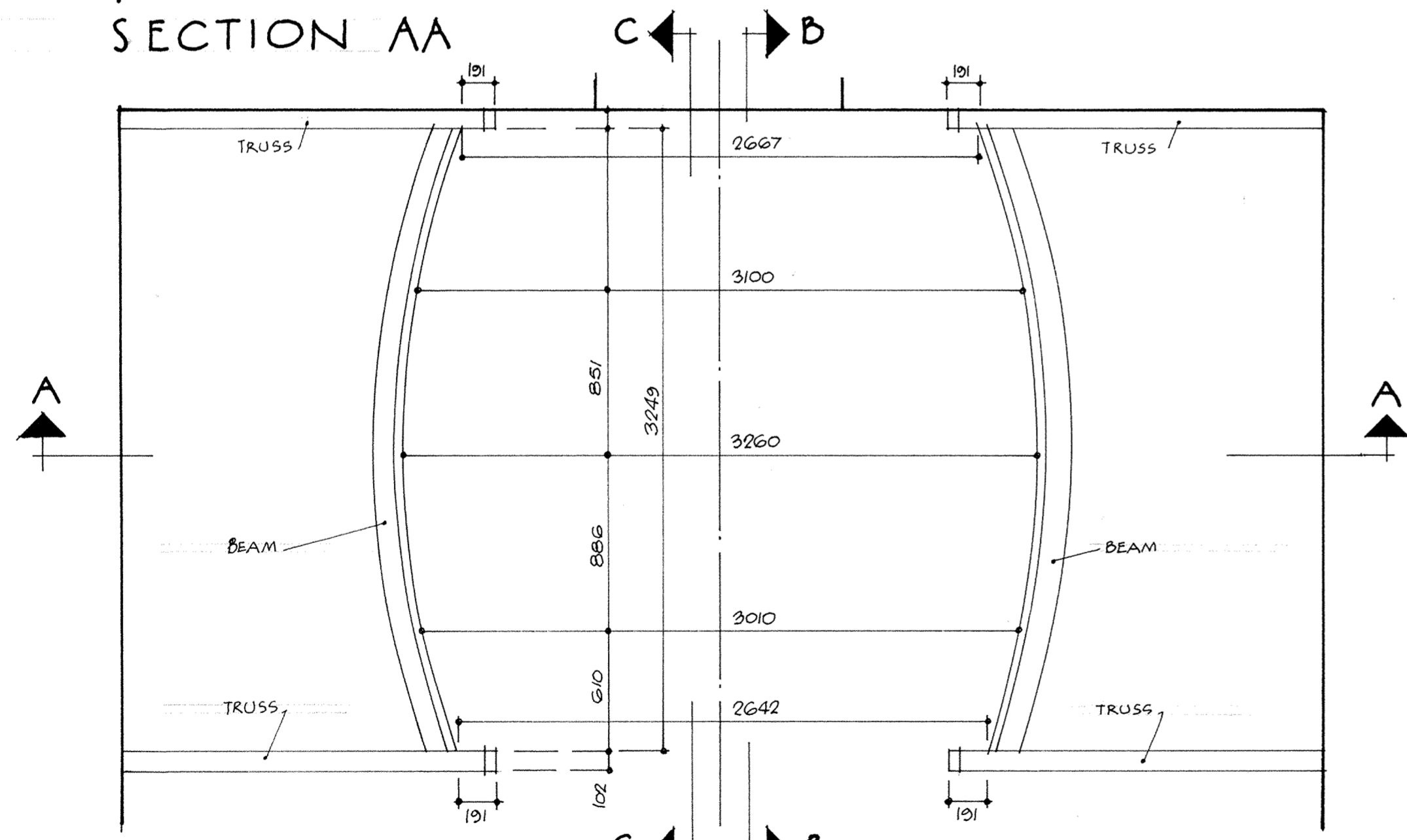
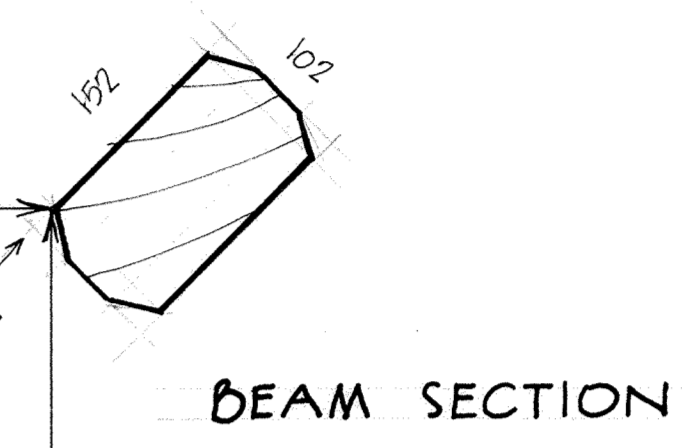


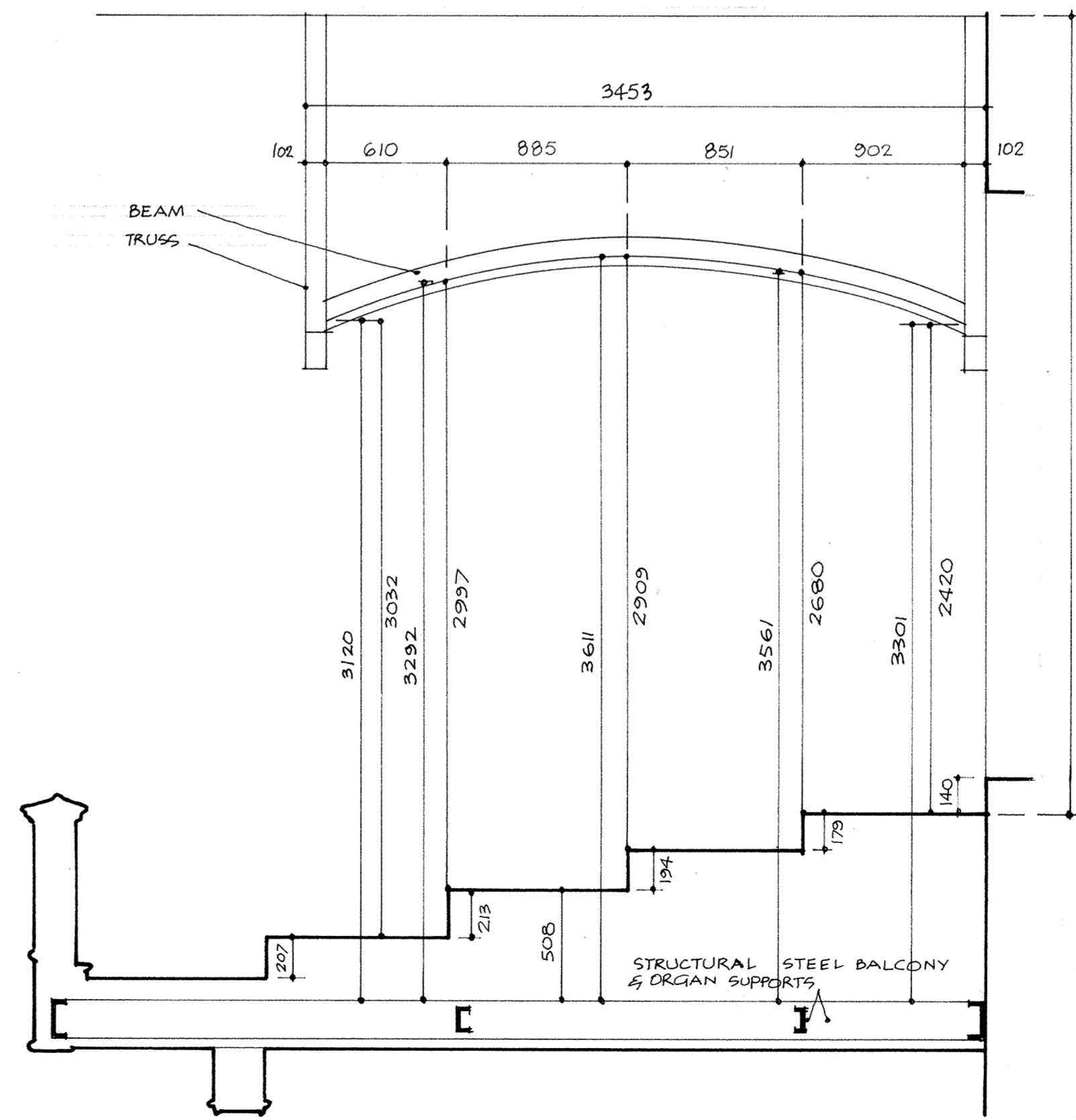
SECTION AA



SECTION BB



REFLECTED CEILING PLAN.



SECTION CC.

CHURCH OF ST. JOHN THE BAPTIST  
 REID ACT. CHOIR & ORGAN  
 GALLERY.  
 ROOF BEAM CLEARANCES

|  |            |             |
|--|------------|-------------|
|  | SCALE      | DRAWING NO. |
|  | 1:25       |             |
|  | DATE       |             |
|  | SEPT. 1977 | 9-77/1      |